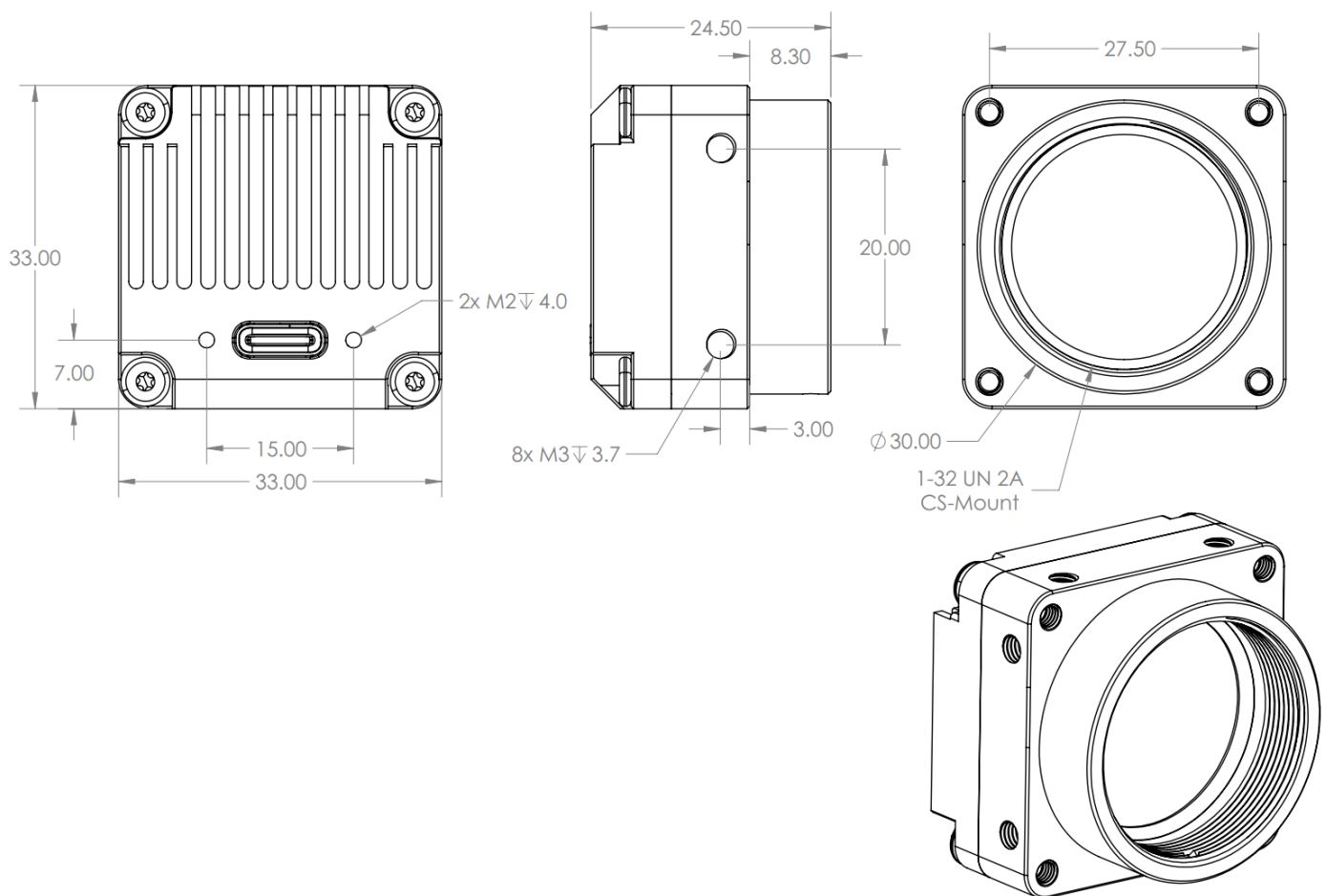


Dimensions

Boxed camera

Weight	36g
Dimensions	33×33×24.5mm
Ingress protection	IP40 (No water protection, protected against solid objects)
Lens mount	CS-mount
Operational temperature	-50 ... 85°C (non condensing)

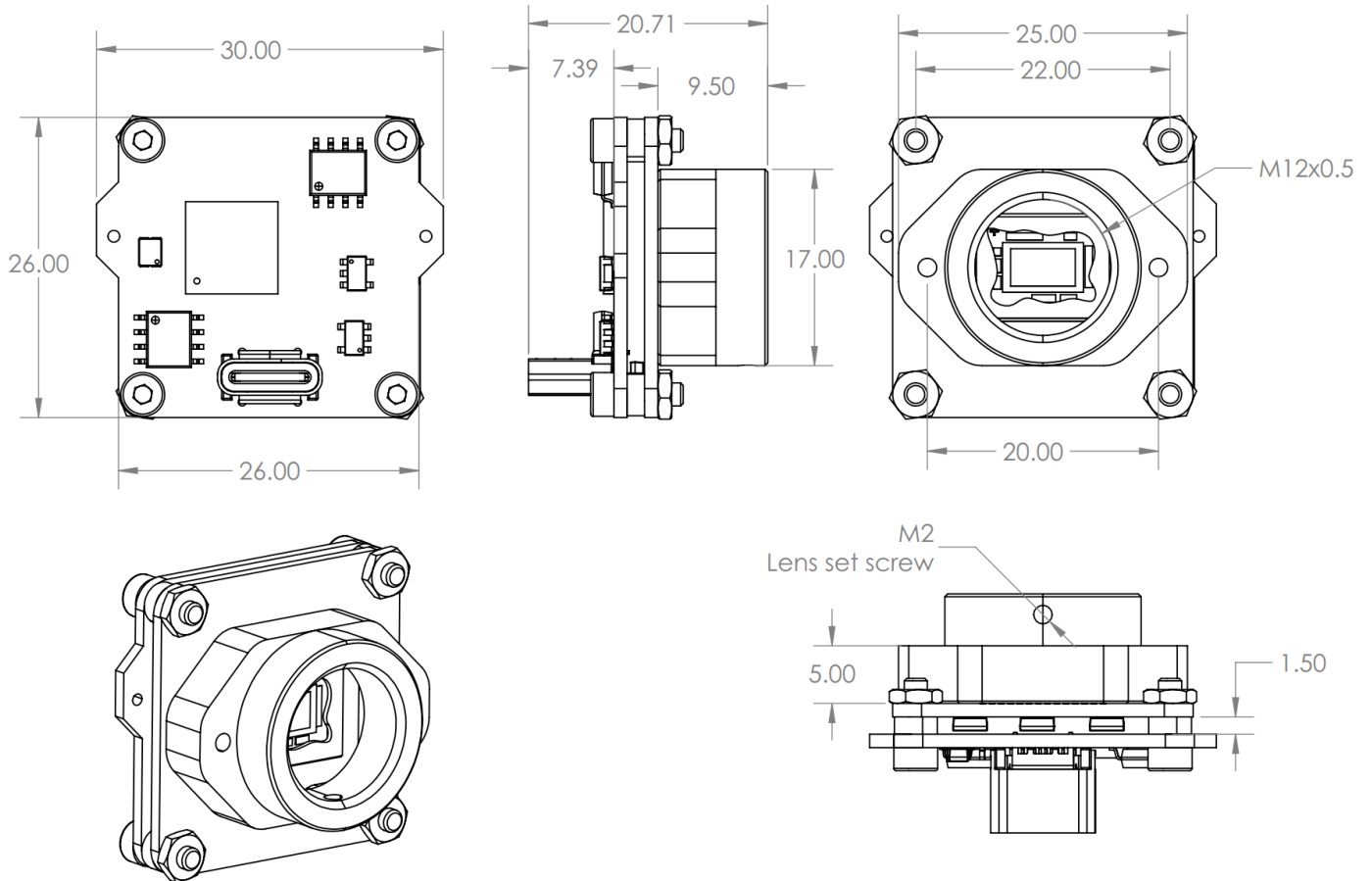


[3D model @ GitHub](#)

Board camera M12

Weight	11.2g
--------	-------

Dimensions	30×26×20.7mm
Ingress protection	IP40 (No water protection, protected against solid objects)
Lens mount	M12 (9.5mm), M12L (14.7mm)
Operational temperature	-50 ... 80°C (non condensing)



[3D model @ GitHub](#)

Revision #4

Created 7 November 2023 19:55:25 by Saulius

Updated 13 January 2026 20:31:34 by Saulius