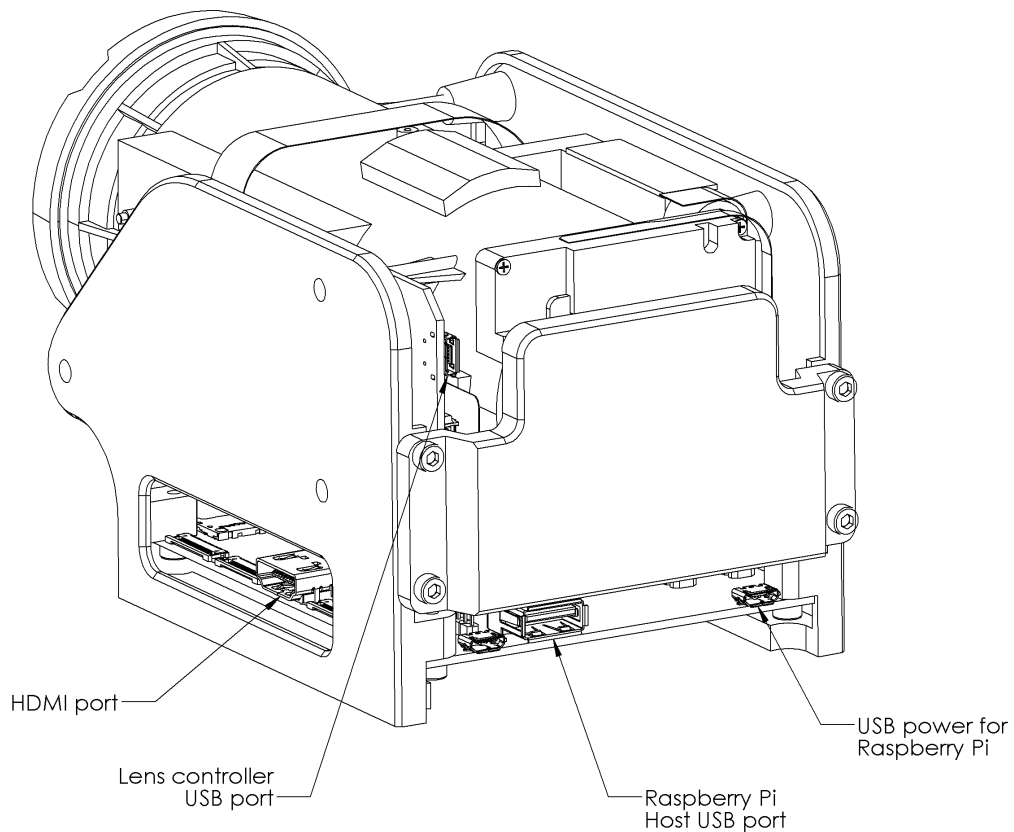


# Demo

## Connectivity

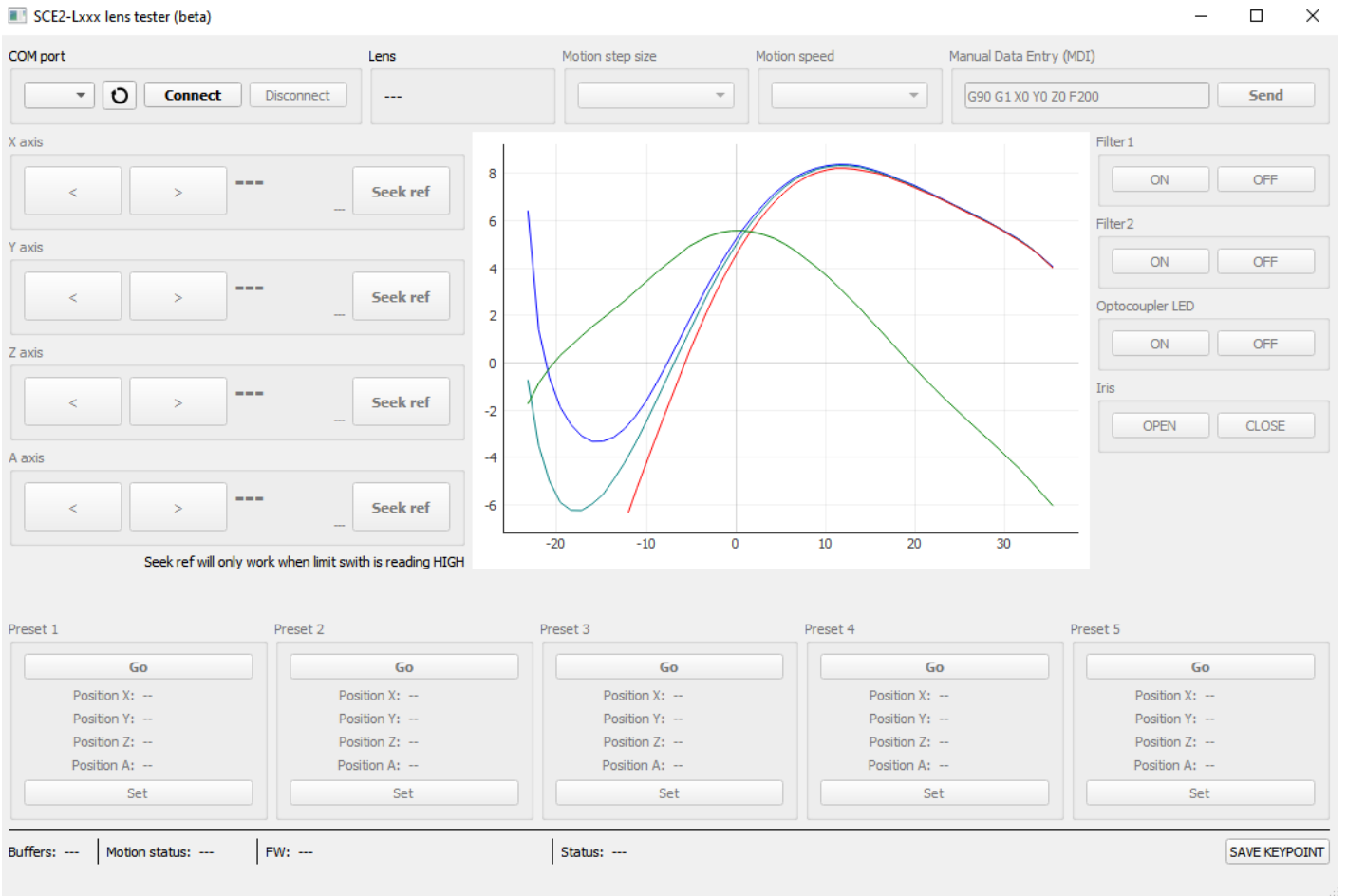
Connect cables between the lens kit and a computer:

- **USB-micro cable #1** - Raspberry Pi power (optionally can be connected to the included wall charger)
- **USB-micro cable #2** - lens controller
- **HDMI** - live camera view



## Software

Software is maintained on GitHub. Check the releases section <https://github.com/Kurokesu/SCE2-SDK/releases> for latest the compiled version.



# Workflow

1. Connect all the cables (HDMI and both USB) to a computer.
2. After Raspberry Pi boots, it will start displaying a live picture from the camera
3. Download, unzip and start demo software `L084_SCE2_tester.exe`
4. Select com port and press connect, the lens should be identified, and controls enabled
5. Click `Seek ref` for each axis (if the button is not enabled, try moving the axis manually, this is a temporary issue that will be fixed in future releases)
6. Click each preset `Go` button to move the lens to the a different zoom/focus position.
7. Move each axis manually `<` and `>` buttons to change focus and zoom.

Revision #9

Created 30 June 2022 10:37:44 by Saulius

Updated 4 July 2022 15:34:52 by Saulius