

L045-25-M12

Description

25mm M12 low distortion lens

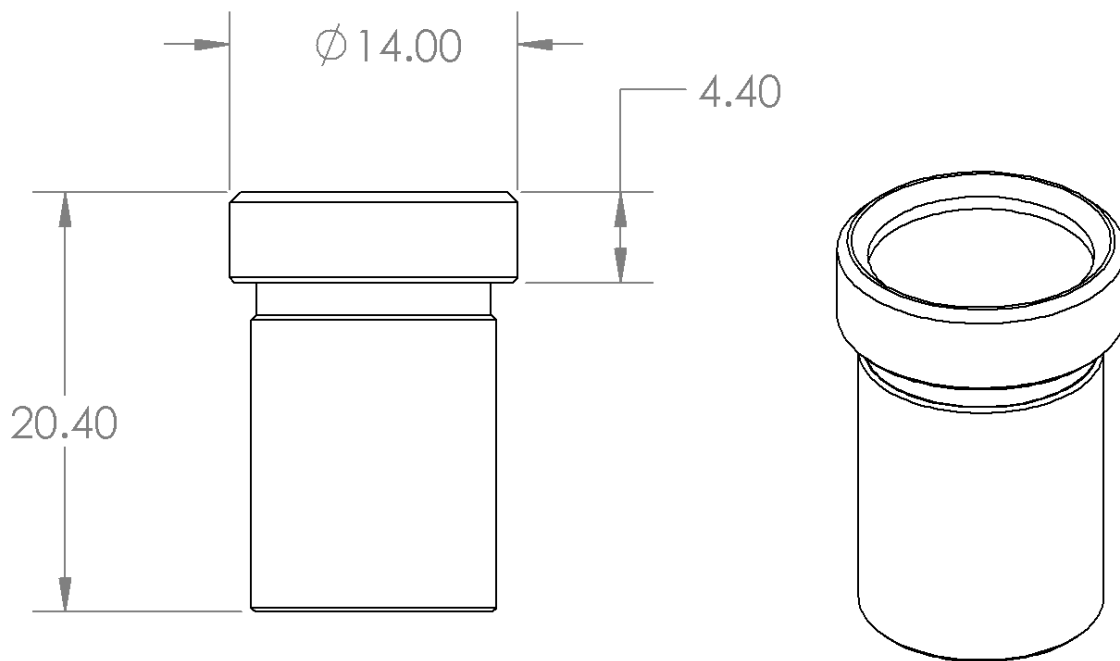


Specifications

Focal Length	25mm
Aperture	f/1.8
Image Size	1/1.2"
Angle of View	H: 15.04°
Mount Type	M12 x 0.5-6g
Minimum Object Distance	0.3m
CRA	≤7.4°
Distortion	<1.1%
Back focal length	6.1mm

External Dimensions	<ul style="list-style-type: none">• D=14mm• L=20.4mm
AR coating	Yes
Net Weight	6g

Dimensions



Revision #1

Created 6 October 2022 14:07:01 by Saulius

Updated 28 August 2025 18:01:02 by Saulius