

L049-50-M12

Description

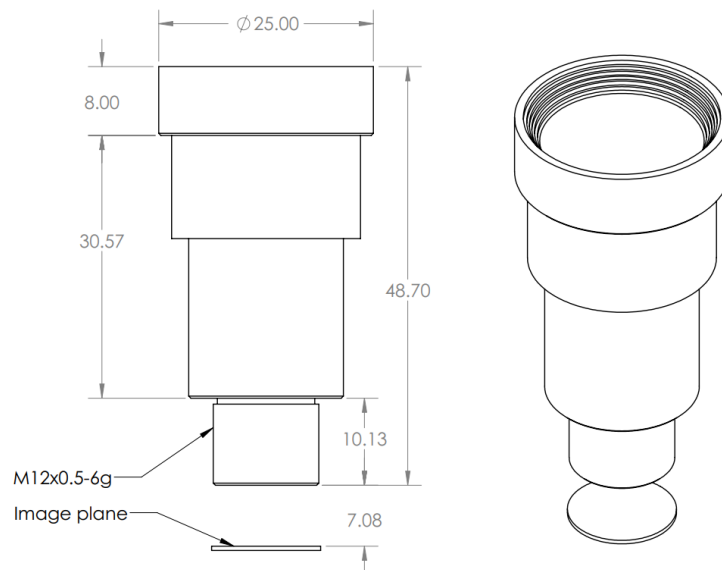
50mm M12 low distortion lens



Specifications

Focal Length	50mm
Aperture	f/2.5
Image Size	1/2"
Angle of View	H: 7.3°
Mount Type	M12 x 0.5-6g
Minimum Object Distance	0.1m
Back focal length	17.18mm
External Dimensions	<ul style="list-style-type: none"> • D=25mm • L=48.8mm
Net Weight	37g

Dimensions



Revision #1

Created 6 January 2025 07:36:02 by Saulius

Updated 28 August 2025 18:01:02 by Saulius