

L072-1.15-M12

Description

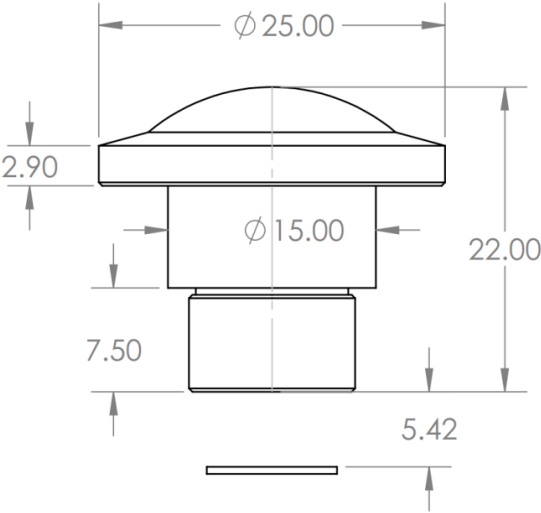
1.15mm M12 fisheye lens



Specifications

Focal Length	1.15mm
Aperture	f/2.0
Image Size	1.27"
Angle of View	<ul style="list-style-type: none">• D: 220°• H: 220°• V: 220°
Mount Type	M12 x 0.5-6g
Minimum Object Distance	0.3m
Back focal length	5.42mm
External Dimensions	<ul style="list-style-type: none">• D=25mm• L=22mm
AR coating	Yes
Net Weight	15g

Dimensions



Revision #2
Created 29 July 2024 07:52:26 by Saulius
Updated 28 August 2025 18:01:02 by Saulius