

L098-1.1-M12

Description

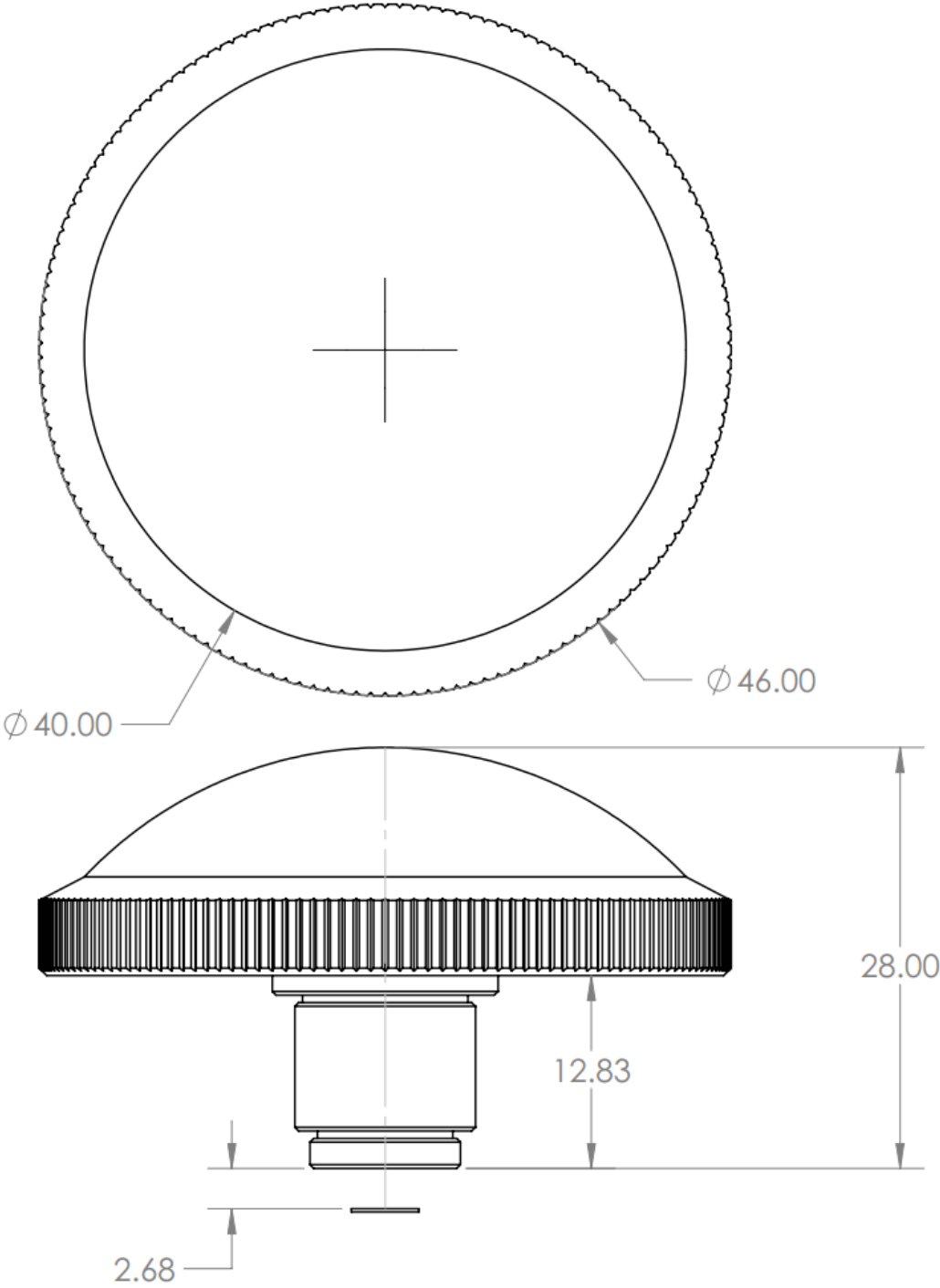
1.1mm 12MP fish-eye lens with M12 mount, 1/2.3"



Specifications

Focal Length	1.1mm
Aperture	f/2.4
Image Size	1/2.3"
Angle of View	D: 253°
Mount Type	M12 x 0.5-6g
Minimum Object Distance	0.1m
F-Theta distortion	< -9.8%
Back focal length	2.86mm
External Dimensions	<ul style="list-style-type: none">• D=46mm• L=28mm
Net Weight	48.5g

Dimensions



Revision #2
Created 29 May 2025 13:24:49 by Saulius
Updated 28 August 2025 18:01:02 by Saulius