

L102-2.11-M12

Description

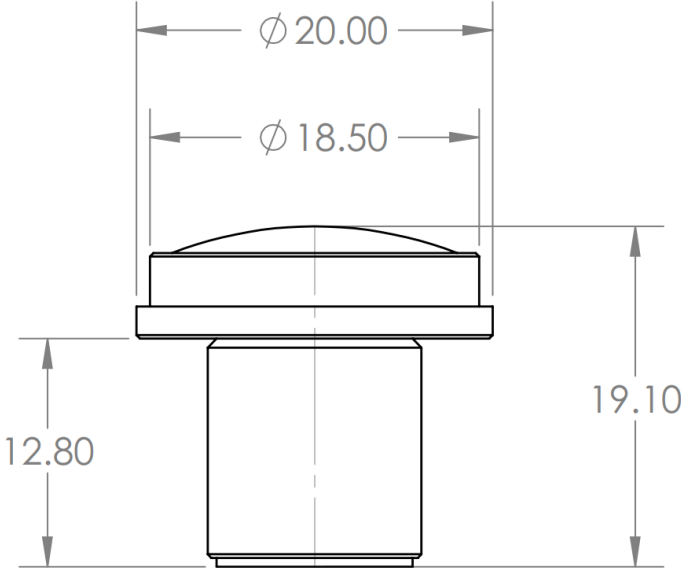
2.11mm M12 wide angle fixed focus lens



Specifications

| | |
|-------------------------|---|
| Focal Length | 2.11mm |
| Aperture | f/1.8 |
| Image Size | 6.7mm |
| Angle of View | <ul style="list-style-type: none">• D: 190°• H: 142°• V: 102° |
| Mount Type | M12 x 0.5-6g |
| Minimum Object Distance | 0.3m |
| Back focal length | 4.8mm |
| External Dimensions | <ul style="list-style-type: none">• D=20mm• L=19.1mm |
| AR coating | Yes |
| Net Weight | 7g |

Dimensions



Revision #3
Created 25 April 2021 12:39:13 by Saulius
Updated 28 August 2025 18:01:02 by Saulius