

# L125-ZFA-10Z55-C

## Description

10-55mm CS-mount low distortion lens

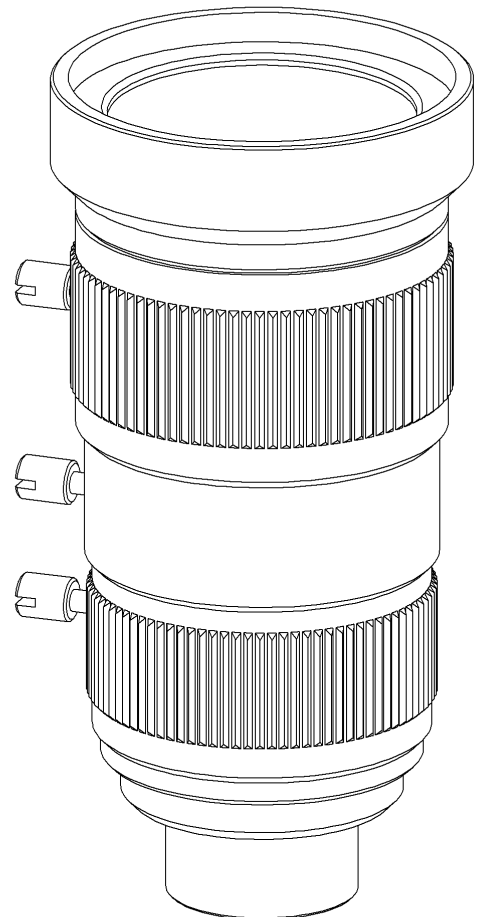
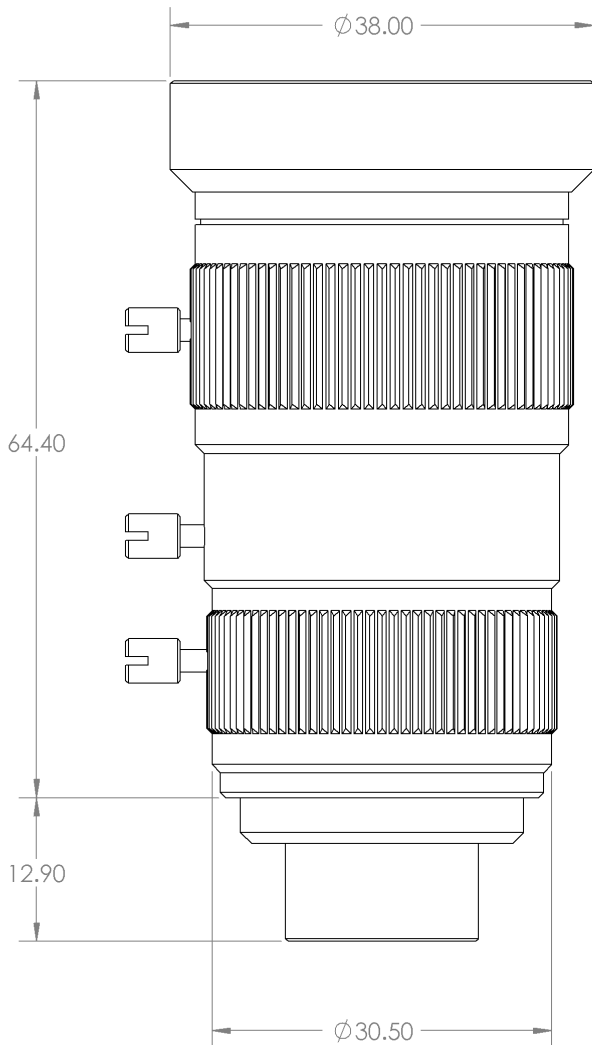


## Specifications

Focal Length	10-55mm
Aperture	f/2.8
Image Size	1/1.7"
Angle of View	<ul style="list-style-type: none"><li>• Wide: 51.1° x 40.6° x 31°</li><li>• Tele: 9.6° x 7.7° x 5.8°</li></ul>
Mount Type	C
Minimum Object Distance	<ul style="list-style-type: none"><li>• Wide: 0.1m</li><li>• Tele: 0.2m</li></ul>

Operation Mode	<ul style="list-style-type: none"> <li>• Iris: Manual with Lock</li> <li>• Focus: Manual with Lock</li> <li>• Zoom: Manual with Lock</li> </ul>
External Dimensions	<ul style="list-style-type: none"> <li>• D=38mm</li> <li>• L=77.3mm</li> </ul>
AR coating	Yes
Net Weight	118g
Rated sensor resolution	10M
Distortion	<-0.1%

## Dimensions



Created 26 September 2022 19:05:06 by Saulius  
Updated 28 August 2025 18:01:02 by Saulius