

L186-3-M12

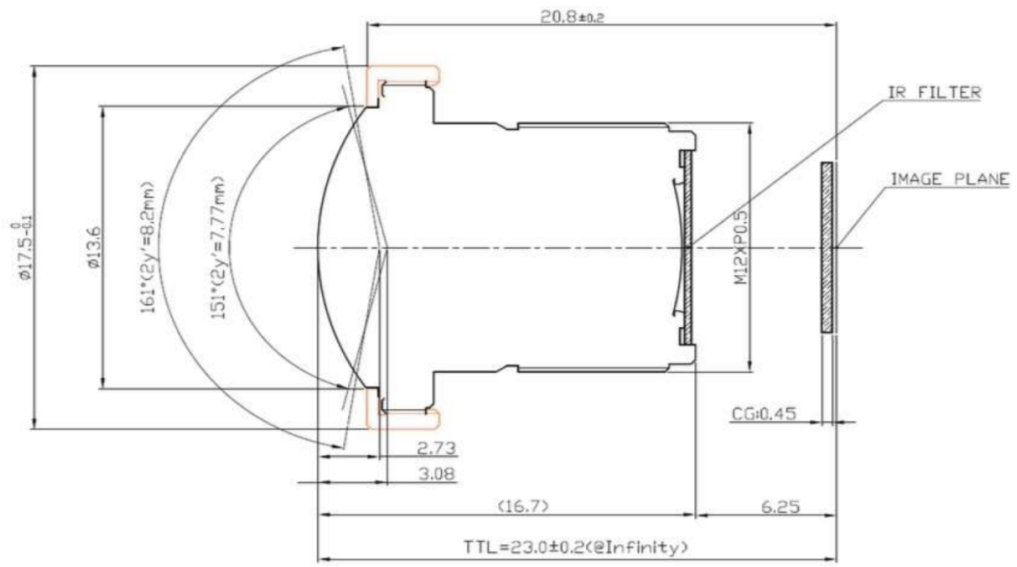
Description

3.08mm M12 lens

Specifications

Focal Length	3.08mm
Aperture	f/2.5
Image Size	1/2.3"
Angle of View (1/1.8")	151° x 120° x 89°
Mount Type	M12
Minimum Object Distance	0.2m
TV Distortion	≤-20%
Back Focal Length	6.25mm
External Dimensions	<ul style="list-style-type: none">• D=17.5mm• L=16.7mm
Net Weight	8g
Rated sensor resolution	14M

Dimensions



Revision #1

Created 28 August 2025 17:47:18 by Saulius

Updated 28 August 2025 18:01:02 by Saulius